

Material:

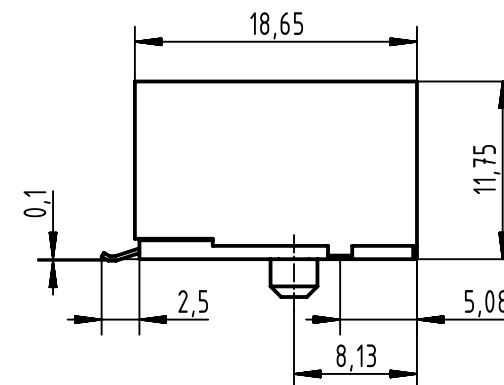
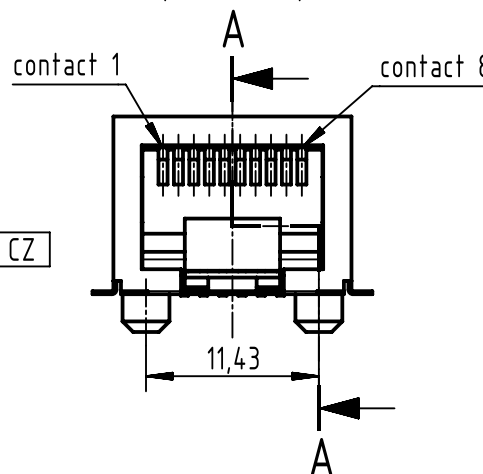
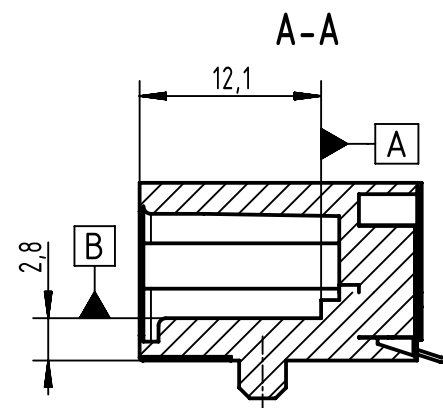
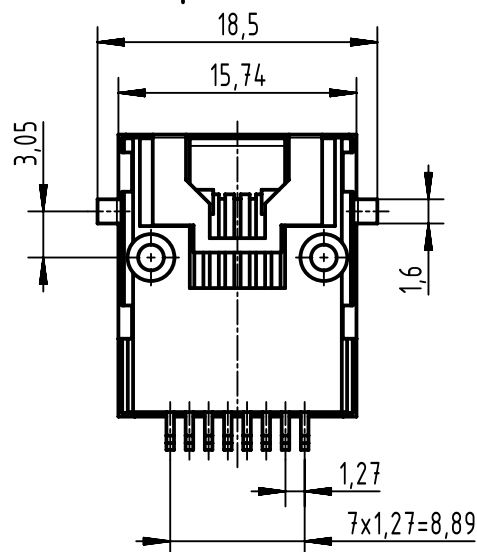
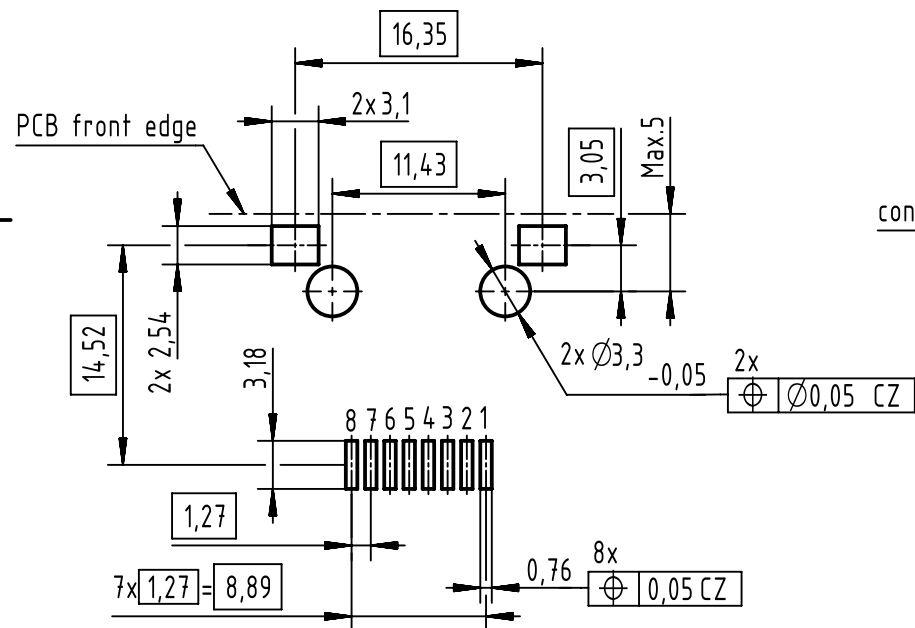
Shielding: Copper alloy with nickel plating

Insert: NY-46, UL 94-V0, black

Contact: -Alloy, C5210, selective gold plating  
over nickel in contact area

- Tin plating over nickel in solder area

PCB layout, component side



P/N	Qty per packaging
09 45 551 1100 333	1 pcs
09 45 551 1100	120 pcs (blister packaging)
09 45 551 1110	130 pcs (tape and reel packaging)

	All Dimensions in mm Original Size DIN A4	Scale 2:1	Free size tol.		Ref.
	All rights reserved Department EL PD	Created by PREOTU	Inspected by PRIESTER	Standardisation HOFFMANN	Sub.
HARTING Electronics GmbH D-32339 Espelkamp		Title RJI RJ45 jack Cat.5 SMT angled			Date 2020-03-03 State Final Release
		Type TB	Number 09455511100		Doc-Key / ECM-Nr. 100850401/UGD/000/C 500000167756
					Rev. C Page 1/1